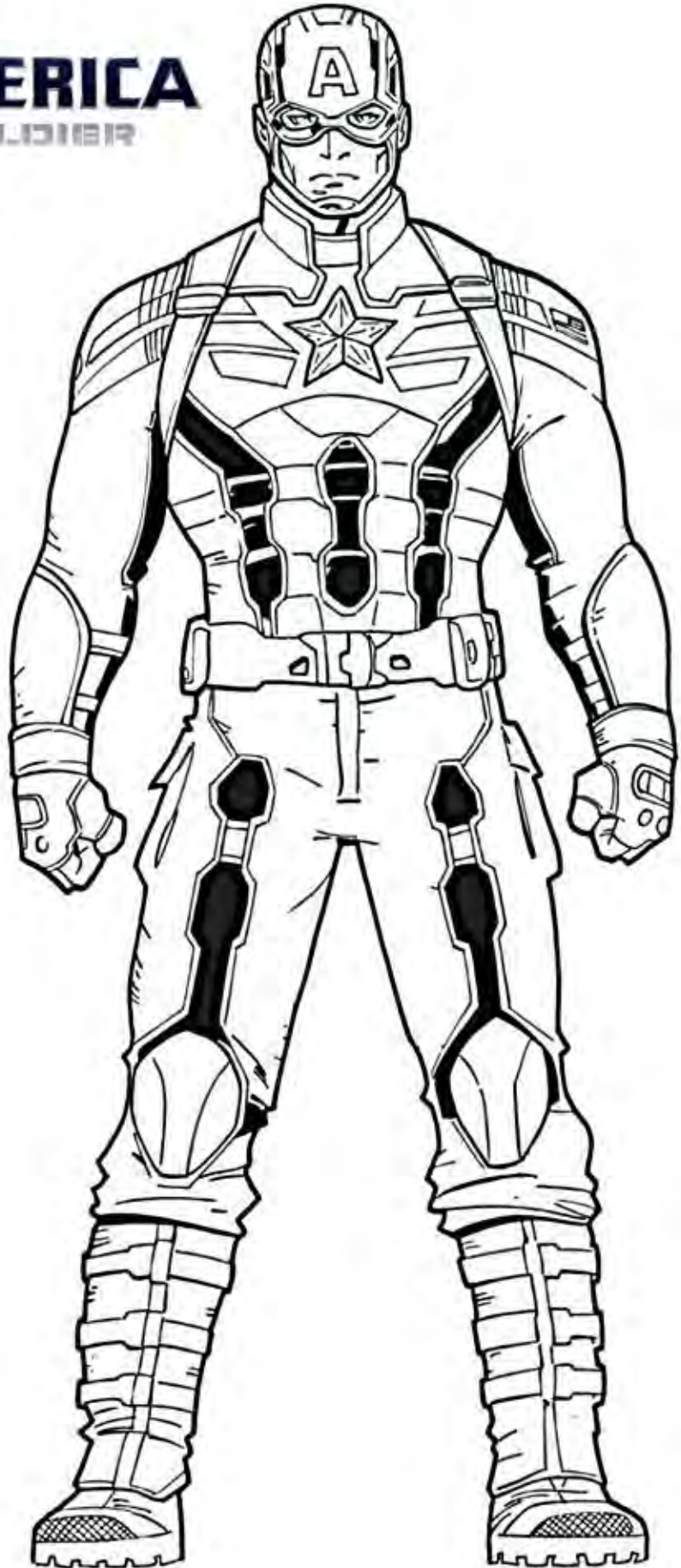


MARVEL

CAPTAIN AMERICA

THE WINTER SOLDIER

IN THEATERS 4.4.2014



Coloring Page : CAPTAIN AMERICA



MARVEL
CAPTAIN AMERICA
THE WINTER SOLDIER
IN THEATERS 4.4.2014

Coloring Page : BLACK WIDOW

MARVEL

CAPTAIN AMERICA

THE WINTER SOLDIER

IN THEATERS 4.4.2014



Coloring Page : NICK FURY

MARVEL

CAPTAIN AMERICA

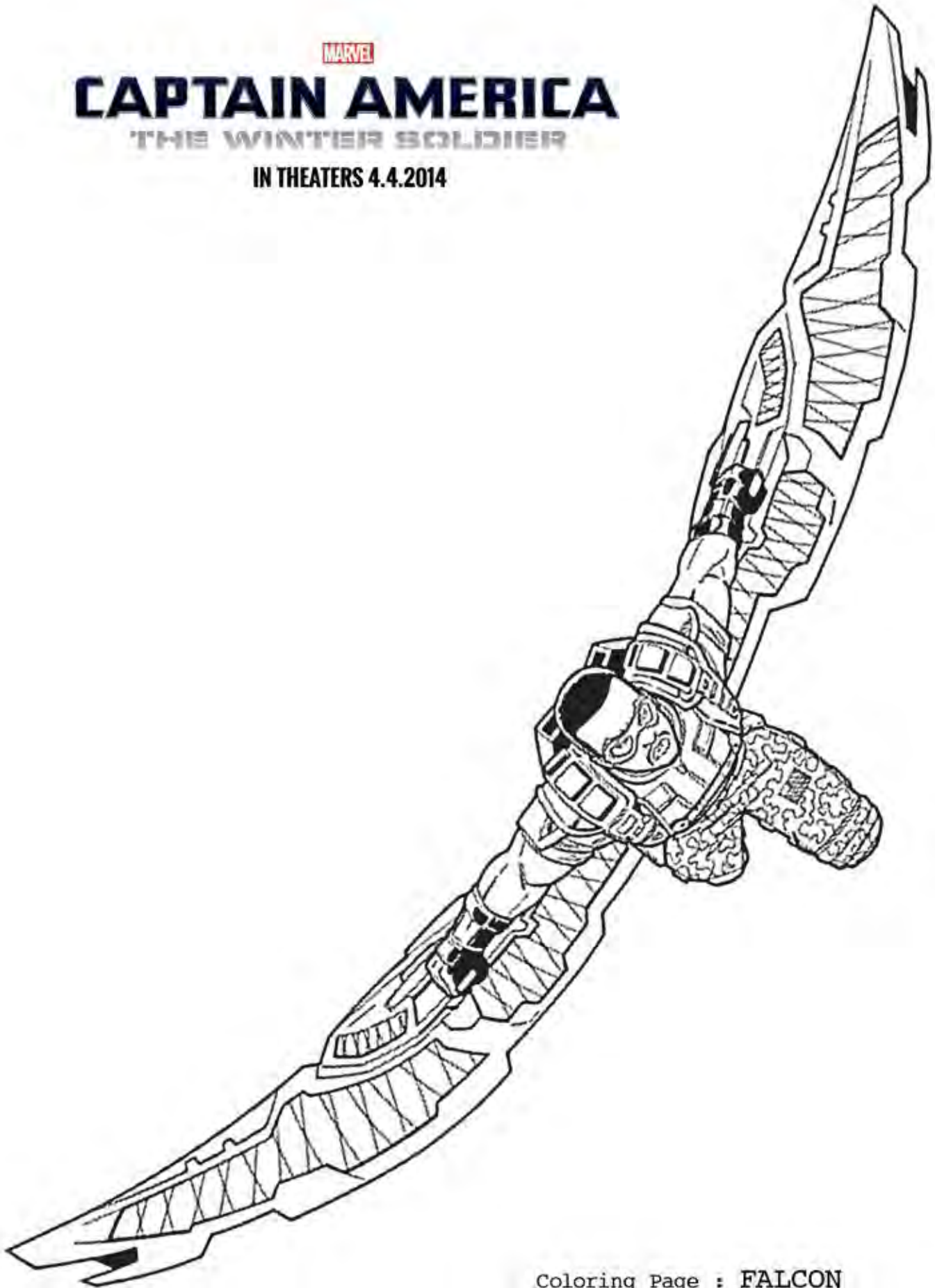
THE WINTER SOLDIER

IN THEATERS 4.4.2014



Coloring Page : SAM WILSON

MARVEL
CAPTAIN AMERICA
THE WINTER SOLDIER
IN THEATERS 4.4.2014



Coloring Page : FALCON

MARVEL

CAPTAIN AMERICA

THE WINTER SOLDIER

IN THEATERS 4.4.2014



Coloring Page : THE WINTER SOLDIER

MARVEL

CAPTAIN AMERICA

THE WINTER SOLDIER

IN THEATERS 4.4.2014



Coloring Page : BLACK WIDOW & CAP

MARVEL

CAPTAIN AMERICA

THE WINTER SOLDIER

IN THEATERS 4.4.2014



Coloring Page : BATTLE!

MARVEL

CAPTAIN AMERICA

THE WINTER SOLDIER

IN THEATERS 4.4.2014



Cap and Black Widow have to save hostages from Batroc.
How many hostages do they save?

MARVEL

CAPTAIN AMERICA

THE WINTER SOLDIER

IN THEATERS 4.4.2014



Steve is visiting the museum.
Draw your own suits in the display.

MARVEL

CAPTAIN AMERICA

THE WINTER SOLDIER

IN THEATERS 4.4.2014



Complete the drawing.

MARVEL

CAPTAIN AMERICA

THE WINTER SOLDIER

IN THEATERS 4.4.2014



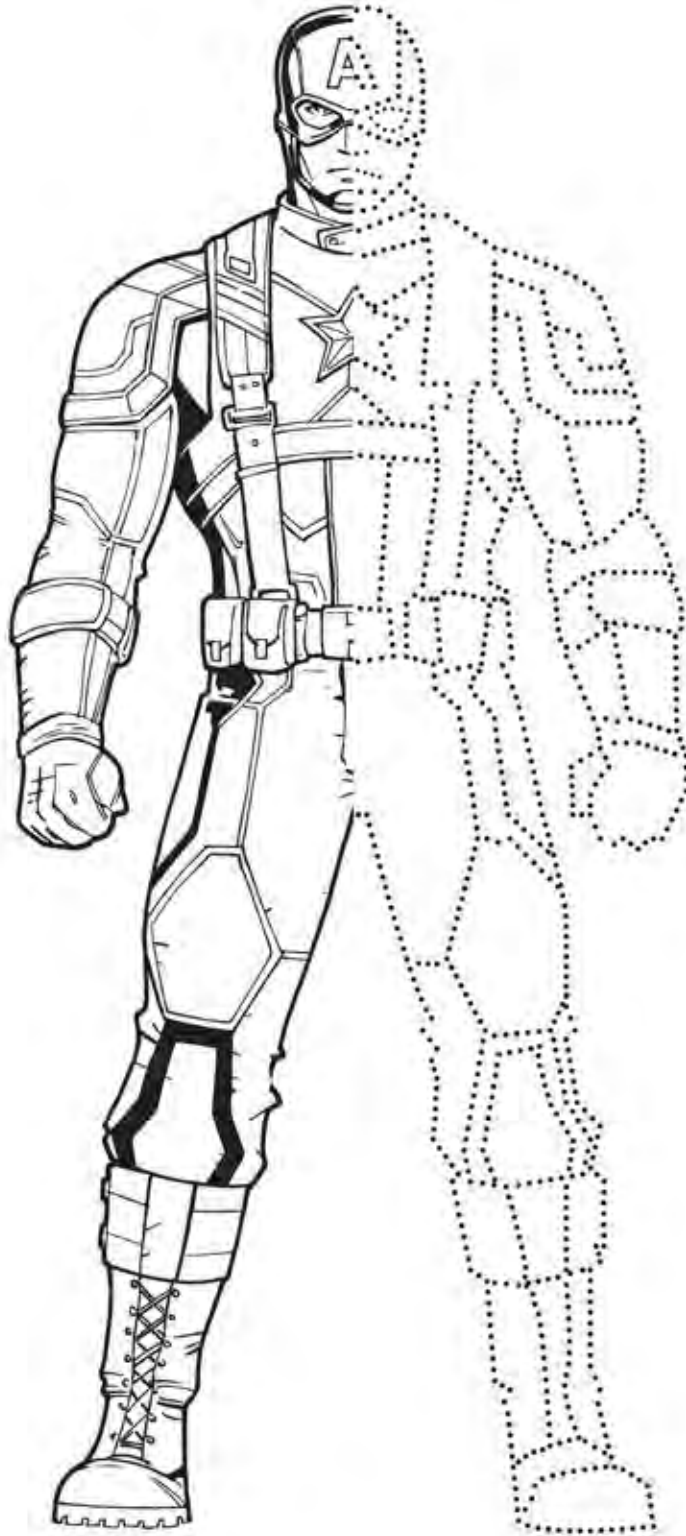
The Winter Soldier is watching Nick Fury and Cap.
Find and circle him.

MARVEL

CAPTAIN AMERICA

THE WINTER SOLDIER

IN THEATERS 4.4.2014



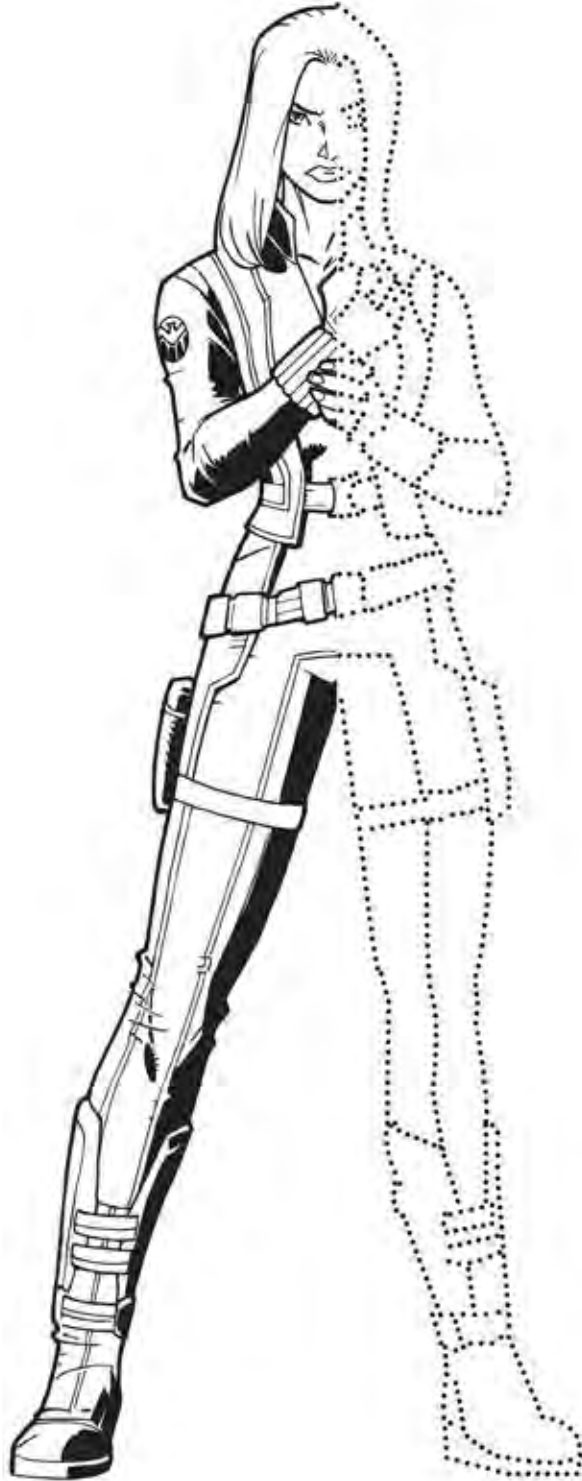
Draw the other half of Captain America.

MARVEL

CAPTAIN AMERICA

THE WINTER SOLDIER

IN THEATERS 4.4.2014



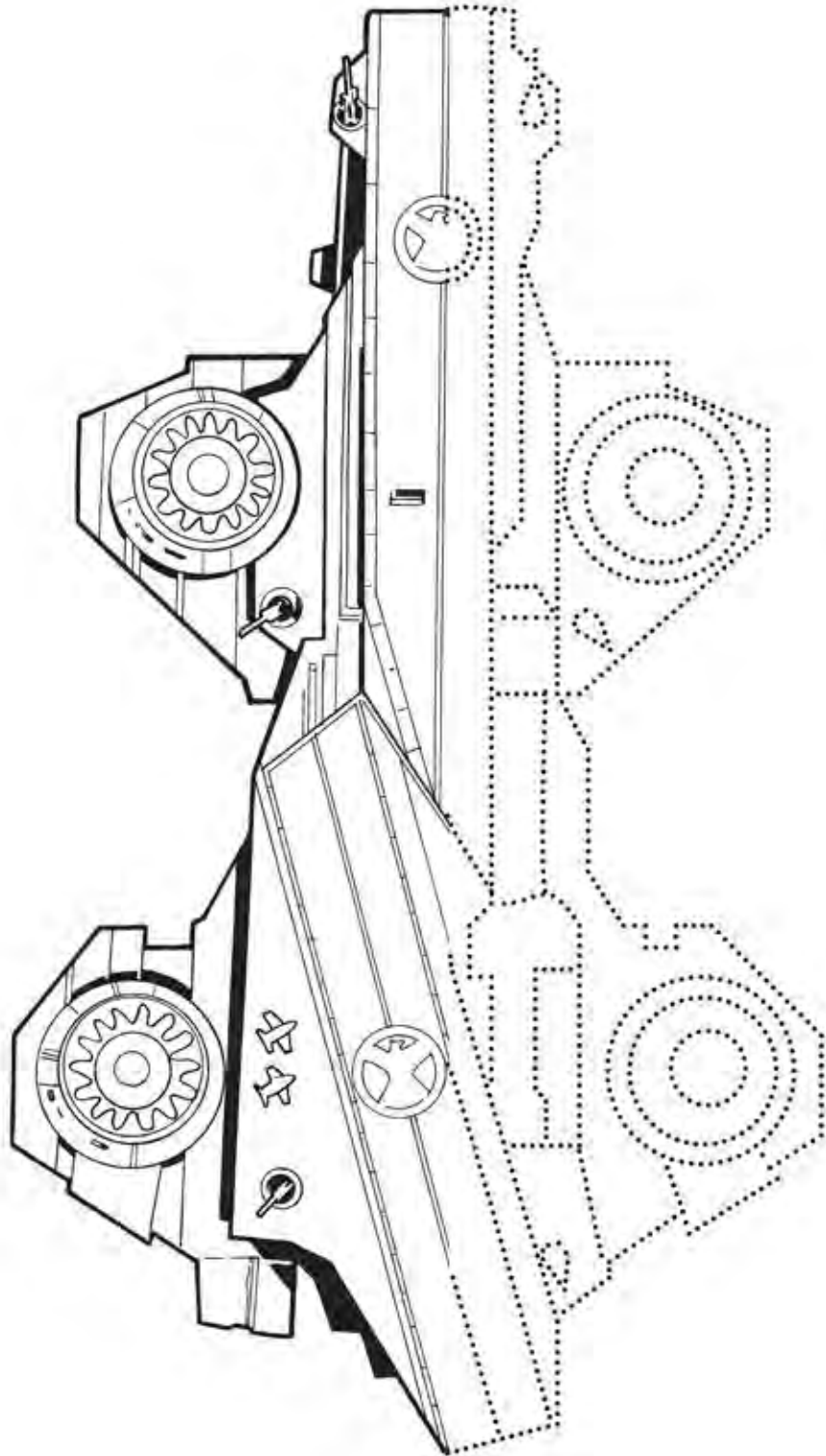
Draw the other half of Black Widow!

MARVEL

CAPTAIN AMERICA

THE WINTER SOLDIER

IN THEATERS 4.4.2014



Draw the other half of the Helicarrier!